



RRB KPS

KPS SERIES REAR RACK BRACKETS



Description

RRB KPS offers a rear rack mount for KPS1/2 rack unit amplifiers. It is particularly useful in all circumstances where absolute stability of the devices in the rack cabinet is required (e.g. during transport).

Standard compliance

Safety agency

CE compliant

Size / Weight

Weight

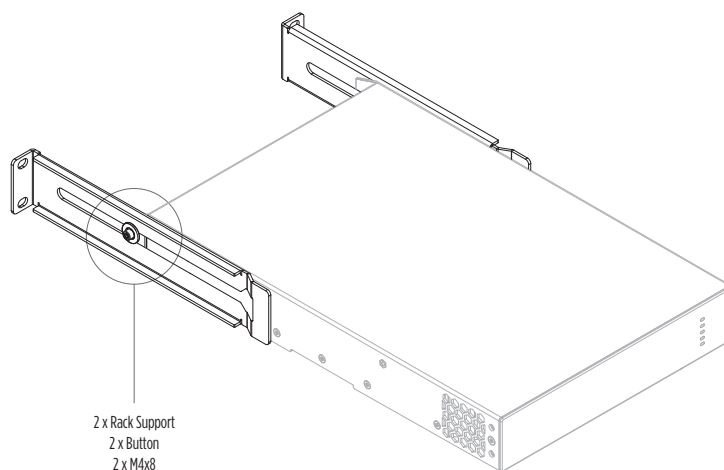
0.25 kg / 0.55 lbs

Physical specifications

Color

Black - RAL 9005

Line Art 2D



Part Number

13360746 RRB KPS

Black - RAL 9005 EAN 8024530023942

Technical Specifications

Products are continually improved. All specifications are therefore subject to change without notice.